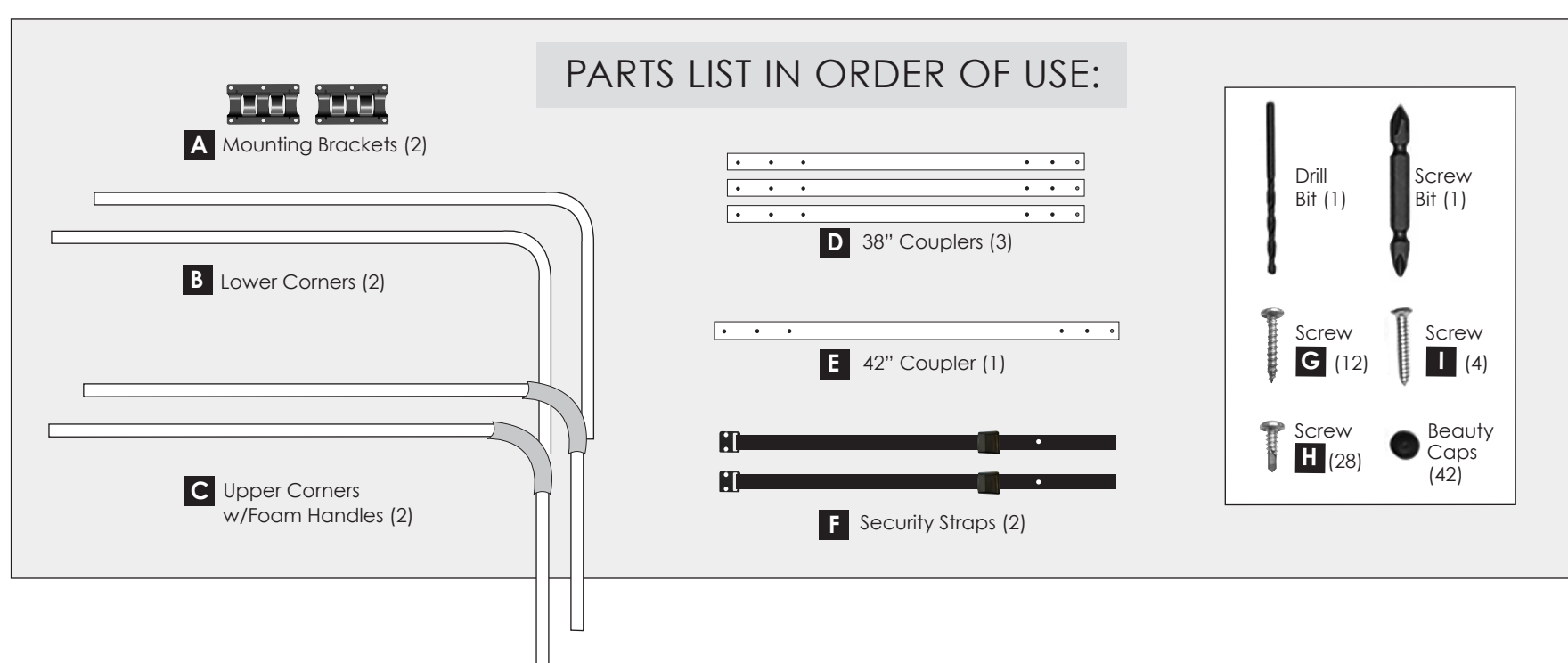
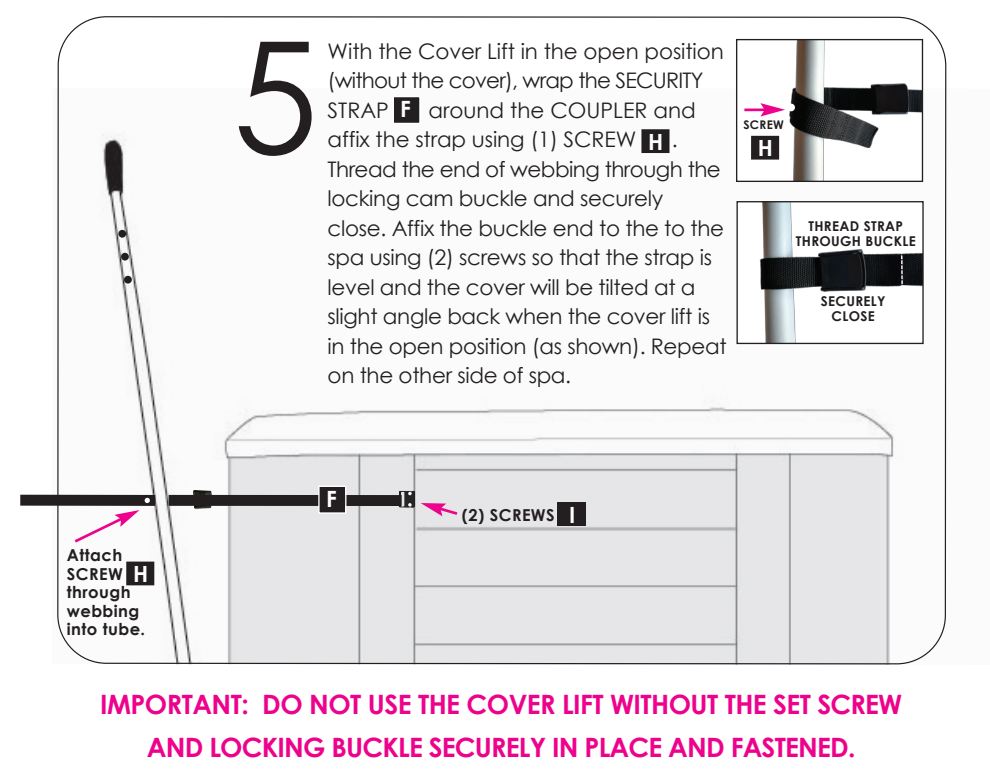
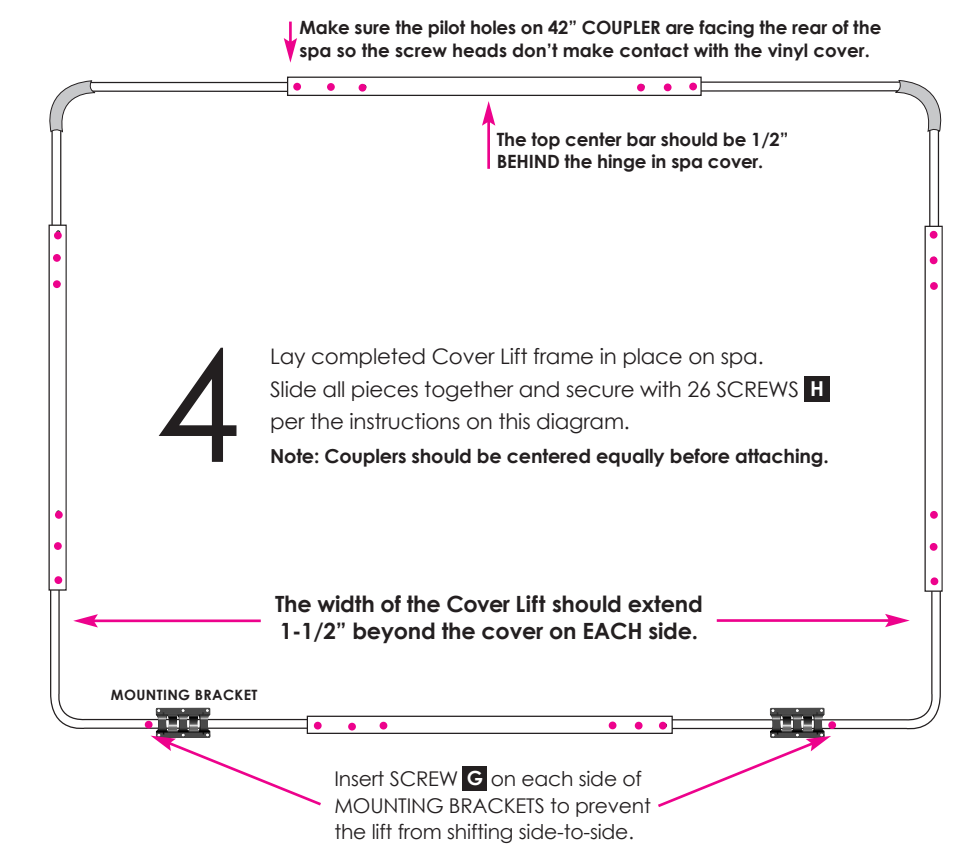
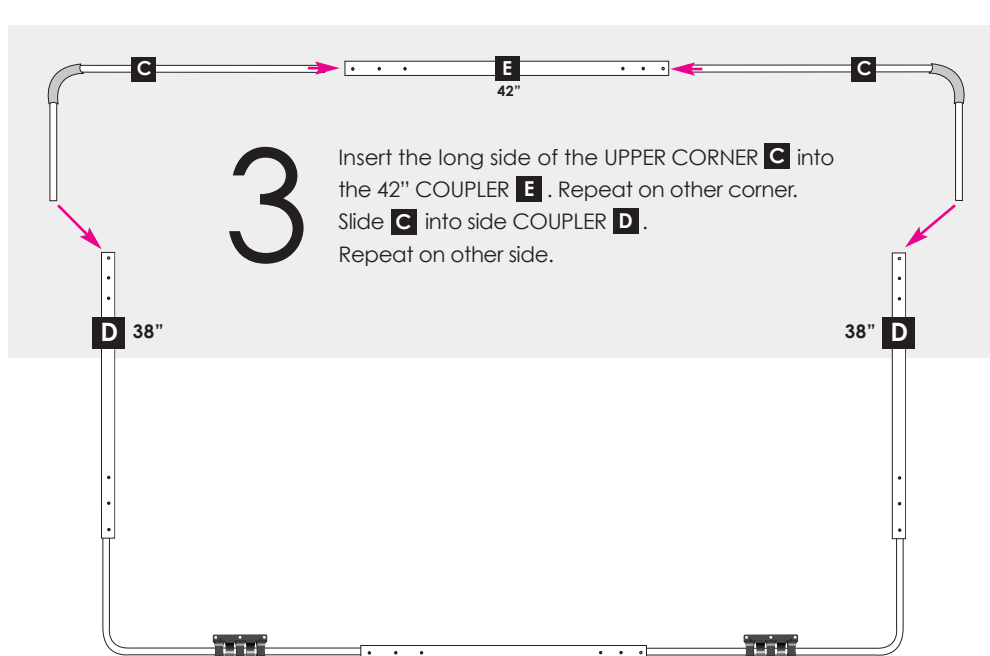
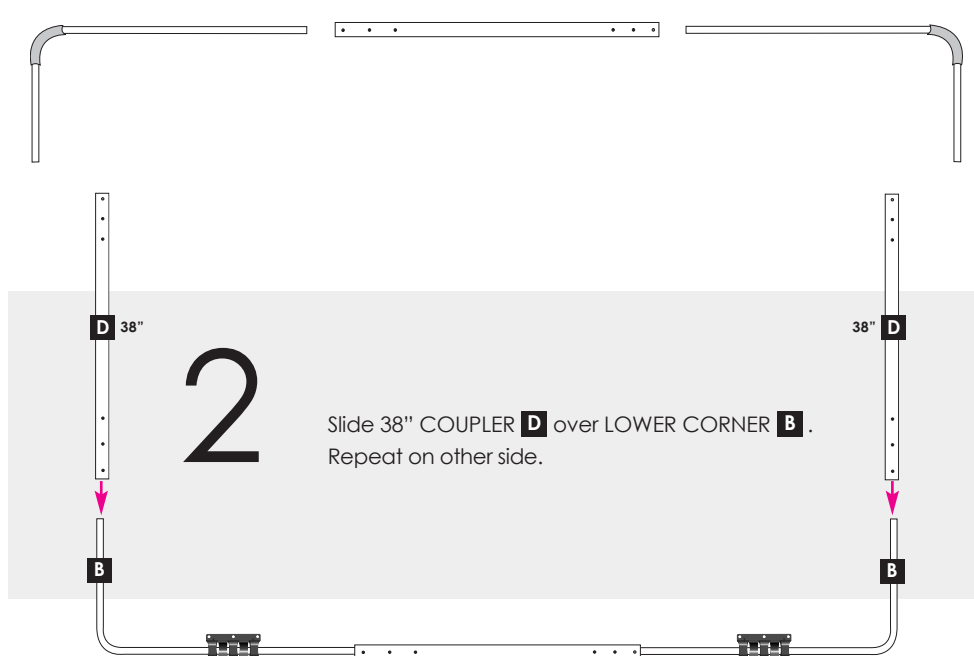
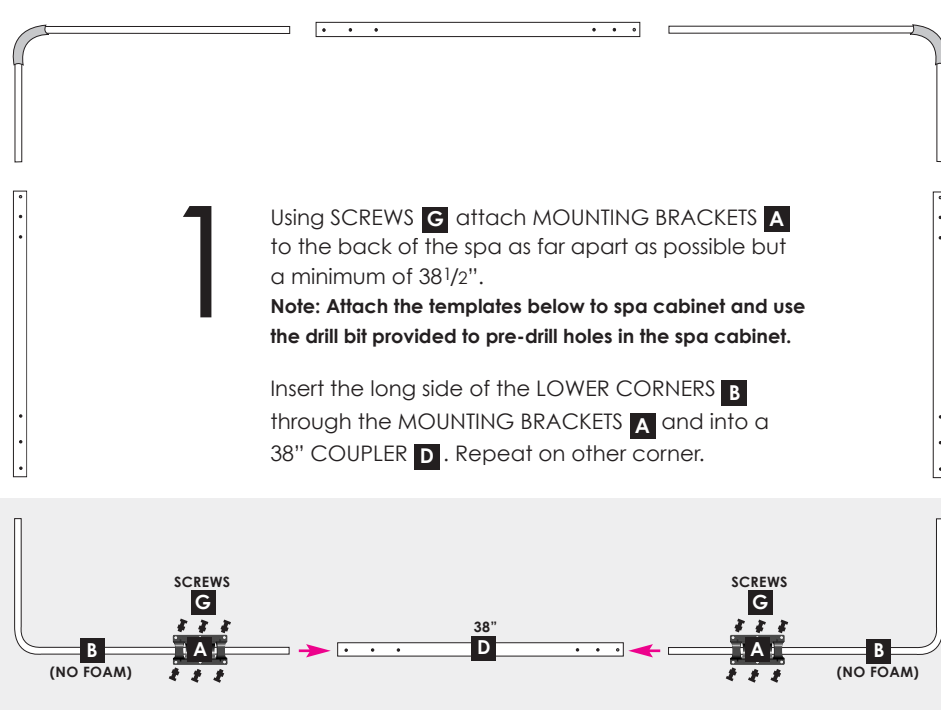
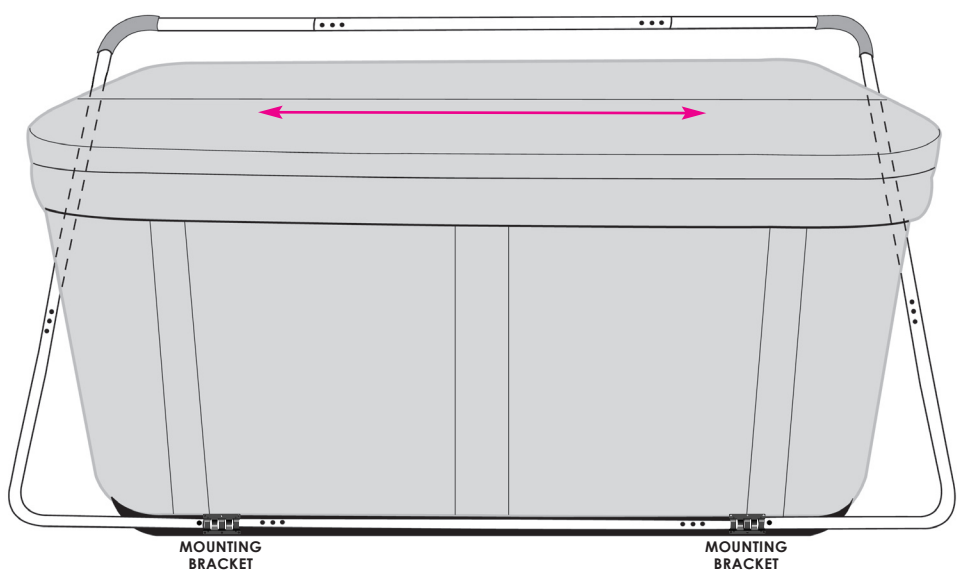


# SPAESCORT™ COVER LIFT Mounting Instructions

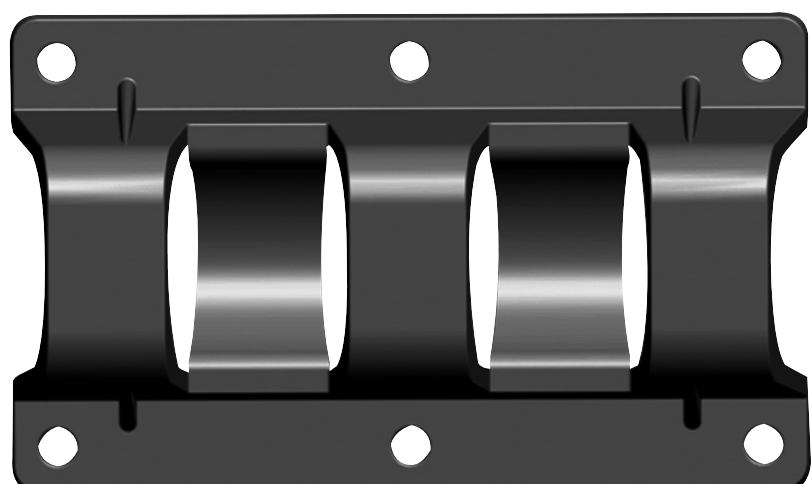


**BEFORE YOU START:**

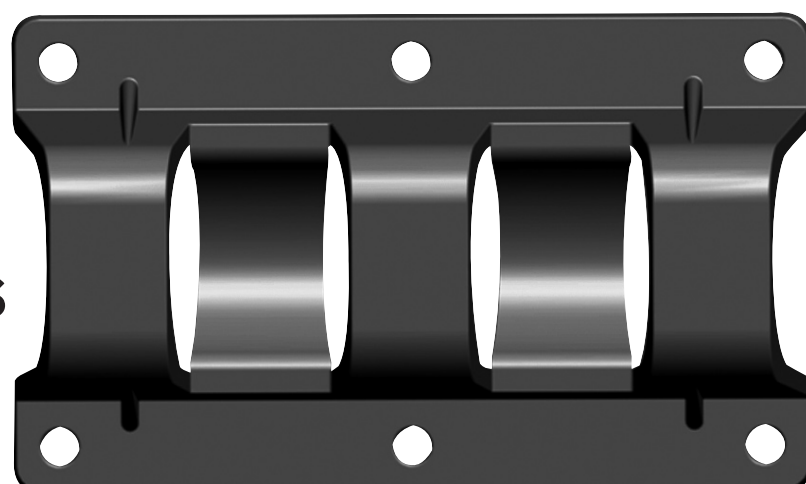
Put the spa COVER properly in position on the spa in the closed position. The COVER LIFT will be mounted in the same direction as the cover hinge. See picture below.



CUT HERE



**Bracket Templates**



**Cut each bracket template and tape as far apart as possible on the spa making sure they are level and not extending onto a curve or corner.**

**The MINIMUM distance the brackets can be mounted is 38 1/2" apart.**



©2017 Essentials - Cumming, GA 30041

Essentials is an industry leader in spa accessory and maintenance products. To view our complete product offering, visit us at [Essentials-SpaSupplies.com](http://Essentials-SpaSupplies.com). All items can be ordered through your local retailer.